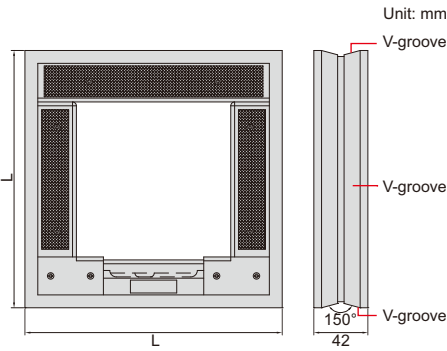


FRAME LEVELS

INSIZE PLUS
MADE IN EUROPE

- No need to set zero before use
- Three V-grooves for shafts (shafts dia. 19.3~115.9mm)
- With longitudinal vial



NO NEED TO SET ZERO BEFORE USE



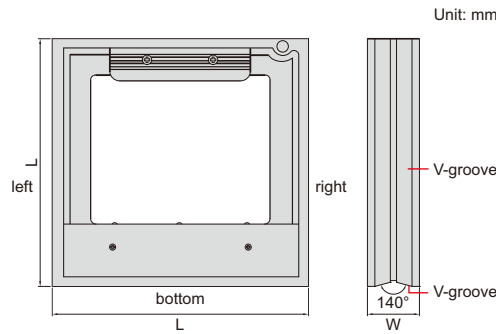
4906-200

| Code | | Size (LxL) |
|--------------------------------|--------------------------------|------------|
| Sensitivity 0.02mm/m (=0.001°) | Sensitivity 0.1mm/m (=0.0057°) | |
| 4906-150 | 4906-B150 | 150x150mm |
| 4906-200 | 4906-B200 | 200x200mm |
| 4906-300 | 4906-B300 | 300x300mm |

FRAME LEVELS (ECONOMIC TYPE)



- V-groove on bottom and left for shafts (shafts dia. 15~70mm)
- With transverse vial
- Supplied with adjusting wrench



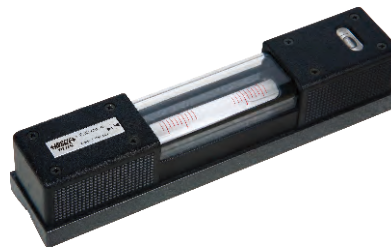
4902-200

| Code | | Size (LxL) | W |
|--------------------------------|---------------------------------|------------|------|
| Sensitivity 0.02mm/m (=0.001°) | Sensitivity 0.05mm/m (=0.0029°) | | |
| 4902-150 | 4902-C150 | 150x150mm | 40mm |
| 4902-200 | 4902-C200 | 200x200mm | 40mm |
| 4902-300 | 4902-C300 | 300x300mm | 45mm |

BLOCK LEVELS

INSIZE PLUS
MADE IN EUROPE

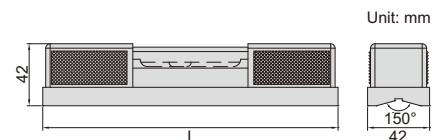
- No need to set zero before use
- V-groove on bottom for shafts (shafts dia. 19.3~115.9mm)
- With longitudinal vial



4905-200

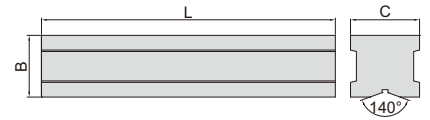
NO NEED TO SET ZERO BEFORE USE

| Code | | Size (L) |
|--------------------------------|--------------------------------|----------|
| Sensitivity 0.02mm/m (=0.001°) | Sensitivity 0.1mm/m (=0.0057°) | |
| 4905-160 | 4905-B160 | 160mm |
| 4905-200 | 4905-B200 | 200mm |
| 4905-300 | 4905-B300 | 300mm |
| 4905-500 | 4905-B500 | 500mm |





BLOCK LEVELS (ECONOMIC TYPE)



- V-groove on bottom for shafts (shafts dia. 15~70mm)
- With transverse vial
- Supplied with adjusting wrench

4903-200A

| Code | | Length (L) | B | C |
|--------------------------------|---------------------------------|------------|------|------|
| Sensitivity 0.02mm/m (=0.001°) | Sensitivity 0.05mm/m (=0.0029°) | | | |
| 4903-150A | 4903-C150 | 150mm | 40mm | 45mm |
| 4903-200A | 4903-C200 | 200mm | 42mm | 47mm |
| 4903-300A | 4903-C300 | 300mm | 45mm | 50mm |

NO NEED TO SET ZERO BEFORE USE

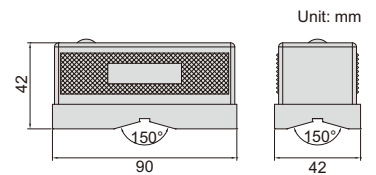
SHORT LEVEL

INSIZE PLUS
MADE IN EUROPE

- No need to set zero before use
- Suitable for small spaces like crankshaft
- Longitudinal and transverse V-grooves on bottom for shafts (shafts dia. 19.3~115.9mm)
- With transverse vial



4907-90



| Code | Length | Sensitivity |
|---------|--------|--------------------|
| 4907-90 | 90mm | 0.1mm/m (=0.0057°) |

NO NEED TO SET ZERO BEFORE USE

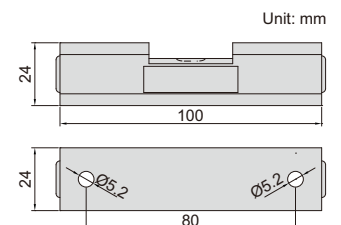
MINI LEVEL

INSIZE PLUS
MADE IN EUROPE

- No need to set zero before use
- With mounting holes (for M5 screws)



4908-100



| Code | Length | Sensitivity |
|----------|--------|--------------------|
| 4908-100 | 100mm | 0.1mm/m (=0.0057°) |



IP54
WATERPROOF

AUDIBLE AND VISUAL
WARNING WHEN OUT OF $\pm 3^\circ$

CROSS-LINE LASER LEVEL CODE 4917-30

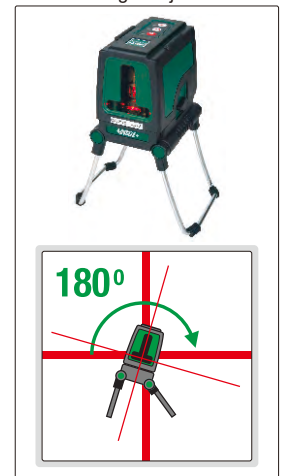
- Red horizontal and vertical cross laser lines
- Self-leveling within $\pm 3^\circ$, self-leveling time within 4s, audible and visual warning when out of $\pm 3^\circ$
- Folding legs for angle and height adjustment
- Outdoor use with the detector (code: **4917-DETECTOR**)



application examples



folding legs for angle and height adjustment



SPECIFICATION

| | |
|-----------------------|---|
| Laser line width | 2 \pm 0.5mm (within 5m) |
| Laser type | 630~660nm, class II, <1mW |
| Beam angle | 120 \pm 0.5° |
| Self-leveling range | $\pm 3^\circ$ |
| Working distance | indoor: 30m, outdoor: 50m with detector (optional) |
| Accuracy | 0.2mm/m |
| Operation temperature | -10~40°C |
| Power supply | 3 \times AA batteries, for 3 hours working |
| Dimension | 100 \times 82 \times 104mm |
| Weight | 620g |



stand
(included with outdoor detector)

OUTDOOR DETECTOR (OPTIONAL)

| | |
|----------------------|---|
| Detecting distance | horizontal 1~50m, vertical 1~30m |
| Detecting accuracy * | high accuracy ± 1.5 mm, low accuracy ± 2.5 mm |
| Power supply | 9V battery |
| Dimension | 168 \times 58 \times 30mm |
| Weight | 140g (battery included) |

* Use high accuracy detection mode within 15m, use low accuracy detection mode over 15m



outdoor detector (**optional**)

STANDARD DELIVERY

| | |
|-----------------------------|-------|
| Main unit | 1 pc |
| 1/4" to 5/8" tripod adaptor | 1 pc |
| Battery (AA) | 3 pcs |

OPTIONAL ACCESSORY

| | |
|------------------|---------------|
| Outdoor detector | 4917-DETECTOR |
|------------------|---------------|